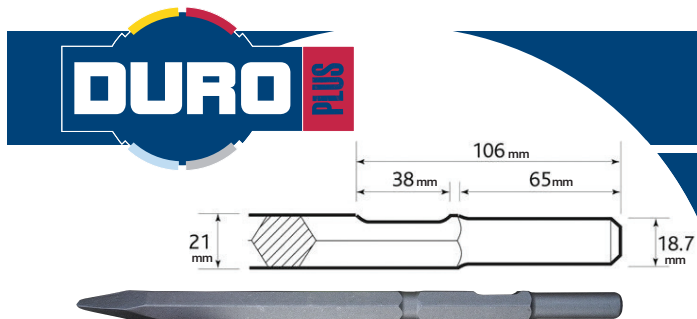




BREAKER STEELS

KANGO 900/950



KANGO 900/950

DESCRIPTION	PART NO.	LIST
Moil point - 380mm o/a length	K900/950-MP380	£12.22
Moil point - 450mm o/a length	K900/950-MP450	£13.88
Narrow chisel - 380mm o/a length	K900/950-NC380	£12.22
Narrow chisel - 450mm o/a length	K900/950-NC450	£13.88
50mm wide chisel - 300mm o/a length	K900/950-50WC300	£21.10
75mm wide chisel - 300mm o/a length	K900/950-75WC300	£22.21
Stem for floor cleaning tool - 275mm o/a	K900/950-STEM	£25.55
Clayspade - 100 x 165mm Blade	K900/950-CSPADE	£72.20
Scutch comb holder	K900/950-SCHOLDER	£49.98

MOIL POINT



Drop forged from high grade steel, this Hammer Iron with heat treated work areas is used for demolition work and starting holes in the centre of a concrete slab. The most common of the demolition steels used for general breaking where there is not a requirement to control the line of fracture.

NARROW CHISEL



Narrow chisel used in a similar way to the moil point but the line of fracture is controlled along the line of the chisel end. Used on applications where it is important to have a clean edge retained on the work-piece to be broken.

WIDE CHISEL / BOLSTER CHISEL



Wide chisel or bolster chisel used in a similar way to the moil point but the line of fracture is controlled along the line of the chisel end. Used on applications where it is important to have a clean edge retained on the work-piece to be broken.

STEM Use with floor cleaning tools and pads



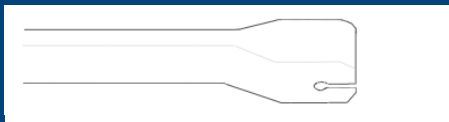
Stem for floor cleaning tool is available with different shank types and facilitates the use of the smaller electric tamping pads and especially the floor cleaning tool.

CLAYSPADE



Clayspade is a purpose designed blade for cutting / digging of boulder clay. The geometry facilitates the cutting action to return to an open face. If the edge is damaged during use it will destroy the natural scooping action. This tool is favoured by tunnelling contractors and companies specialising in underpinning in clay conditions. Also excellent for general garden and landscaping.

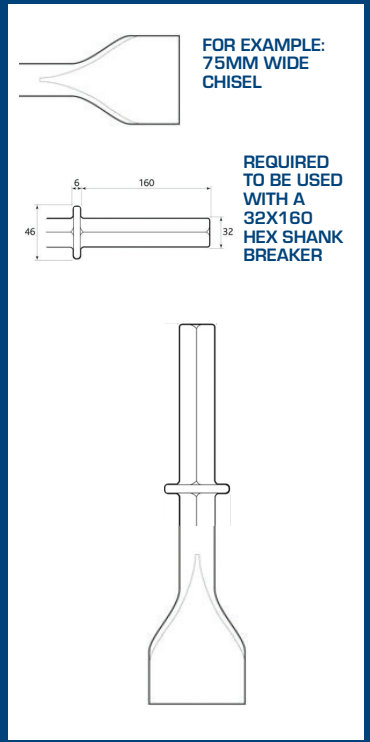
SCUTCH COMB HOLDER



Allows scutching operations using power tools instead of hand held. Interchangeable scutch ends mean no sharpening is necessary. Can also be used with 'droves'.

HOW TO SELECT YOUR DURO BREAKER STEEL

1. Choose the kind of application you need to undertake and therefore the breaker steel type you need to achieve.
2. Then select the machine type you will be using - pneumatic or electric



AN EXTENSIVE RANGE OF BREAKERS AVAILABLE FROM OUR SISTER COMPANY YOKOTA UK

YOKOTAUK



THE PRO-LINE FROM DURO, OFFERING PROFESSIONAL LEVEL TOOLS AT VERY COMPETITIVE PRICE LEVELS. THIS RANGE IS RENOWNED FOR OFFERING GREAT QUALITY, PERFORMANCE AND VALUE TOOLS WITH VERY HIGH OUTPUT.



ORDER LINE: 01909 552470 / 1

WWW.DURO-DIAMONDS.COM