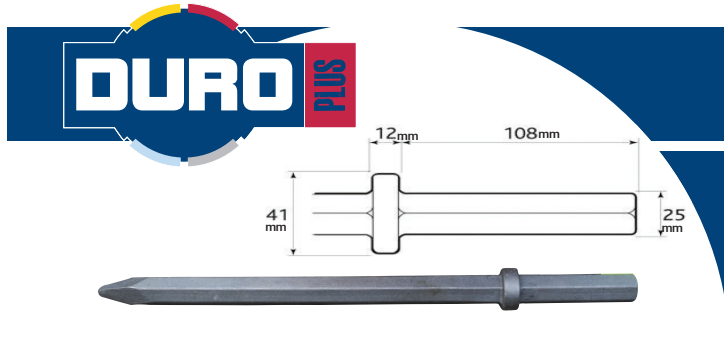




BREAKER STEELS

HEX SHANK (25 x 108mm)



25 x 108mm (1" x 4-1/4") HEX SHANK

DESCRIPTION	PART NO.
Moil point - 380mm under collar	25x108HX-MP380
Moil point - 450mm under collar	25x108HX-MP450
Narrow chisel - 380mm under collar	25x108HX-NC380
Narrow chisel - 450mm under collar	25x108HX-NC450
Tarmac cutter - 115mm wide	25x108HX-115WTC300

MOIL POINT

Drop forged from high grade steel, this Hammer Iron with heat treated work areas is used for demolition work and starting holes in the centre of a concrete slab. The most common of the demolition steels used for general breaking where there is not a requirement to control the line of fracture.

NARROW CHISEL

Narrow chisel used in a similar way to the moil point but the line of fracture is controlled along the line of the chisel end. Used on applications where it is important to have a clean edge retained on the work-piece to be broken.

AN EXTENSIVE RANGE OF BREAKERS AVAILABLE FROM OUR SISTER COMPANY YOKOTA UK

YOKOTA

115MM WIDE TARMAC CUTTER

Tarmac Cutter used for cutting of coated stone. The wedge shape of the side profile is preferred by many operators as it facilitates easy removal of the blade after each cut.

HOW TO SELECT YOUR DURO BREAKER STEEL

1. Choose the kind of application you need to undertake and therefore the breaker steel type you need to achieve.
2. Then select the machine type you will be using - pneumatic or electric

FOR EXAMPLE:
75MM WIDE CHISEL

REQUIRED TO BE USED WITH A 32X160 HEX SHANK BREAKER

THE PRO-LINE FROM DURO, OFFERING PROFESSIONAL LEVEL TOOLS AT VERY COMPETITIVE PRICE LEVELS. THIS RANGE IS RENOWNED FOR OFFERING GREAT QUALITY, PERFORMANCE AND VALUE TOOLS WITH VERY HIGH OUTPUT.

